

# CHALLENGER SERIES

## Perfect for any Commercial application Ceiling or Inline Use

The Challenger Fan Series has surpassed our industries expectations beyond imagination. Its housing is made of heavy duty 24 GA galvanized satin coat metal which is known for its ability to resist corrosion. The scroll is internally gasketed eliminating vibration and the possibility of air transferring between the exhaust and supply. A universal mounting bracket allows the installer to fasten the bracket horizontally for wood joist applications or vertically

for ceiling mount applications. This fan series incorporates a inlet venturi designed to allow air entering the blower wheel with minimum resistance and maximum efficiency. The blower and motor are isolated with neoprene pads to ensure quiet vibration free operation. This fan is in a league of its own offering a superior quality product at an extremely competitive price.

### Models QB80, QB100, QB130, QB140, QB200

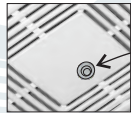
#### Standard:

- White Aluminum Louvered Grille
- Continuous Duty Life Time Lubricated Motor With Thermal Protection
- Galvanized Metal Forward Curved Blower Wheel
- Plastic Backdraft Damper or Metal Collar with Neoprene Damper.
- Universal Mounting Brackets
- Plug Type Disconnect

4" dia.QB80,100  
5" dia.QB130, 140, 200



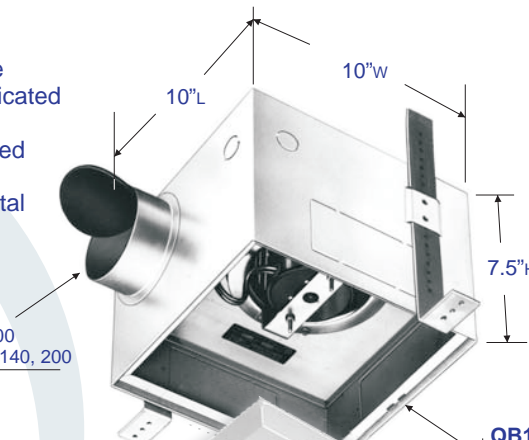
Plastic Backdraft Damper



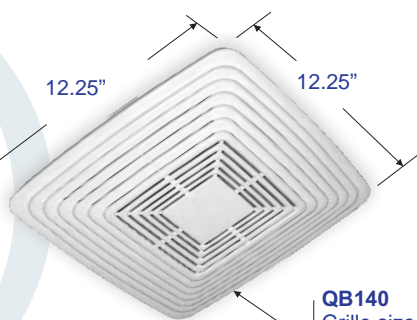
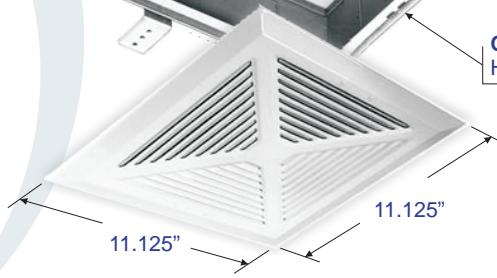
Grille with Motion Sensor (Optional)

#### Optional:

- White Styrene Grille
- Inline Adapter Kit (See p.33)
- Speed Controller
- Built In Fire Radiation Damper (See FF Series p.11)
- Aluminum Spring Loaded Damper
- Insulated Housing
- Fan Mounted Dehumidistat
- Motion Sensor (with plastic grille only)

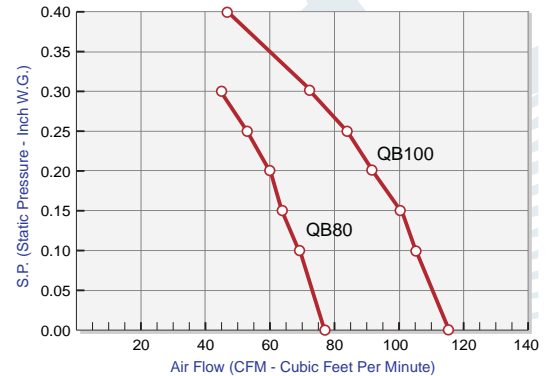


**QB140**  
Housing size 12"L x 12"W x 8"H

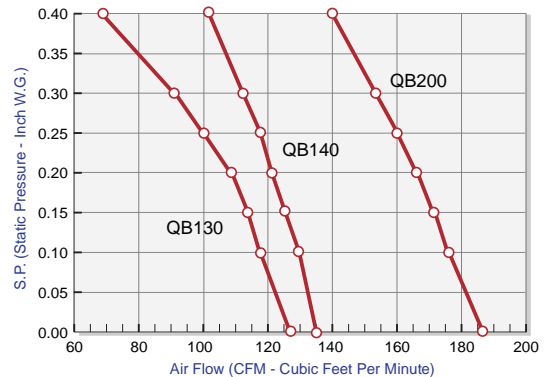


**QB140**  
Grille size  
13.5" x 13.5"

#### QB80, QB100 FAN DATA



#### QB130, QB140, QB200 FAN DATA



\*The QB80, QB100, QB130, QB140 fans are suitable for installation over bath tub or shower stall with GFCI protected branch circuit.

### CHALLENGER SERIES PERFORMANCE CHART

MODEL	RPM	AMPS	WATTS	S.P.	0.00	0.10	0.15	0.20	0.25	0.30	0.40	SONES
QB80*	1000	0.35	40.0	CFM	77	69	64	60	53	45	-	2.0
QB100	1400	0.60	-		115	105	100	92	84	73	47	2.5
QB130	1400	0.70	-		128	119	114	108	100	91	68	2.0
QB140	1050	0.90	-		135	129	126	121	118	113	102	2.5
QB200	1550	1.40	-		186	176	172	166	160	154	140	4.5

For Motion Sensor add "M" after model number. (ex. QB100M)  
\*ENERGY STAR FAN