

All Welded Roof Curbs

SPECIFICATIONS

ALL MODELS

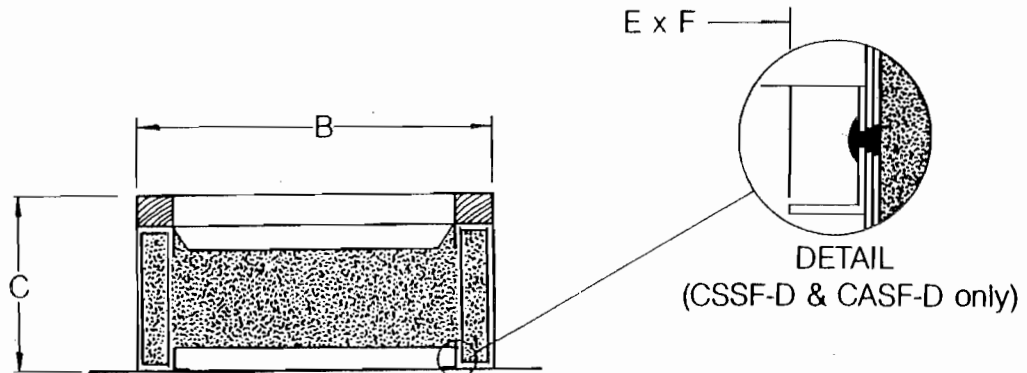
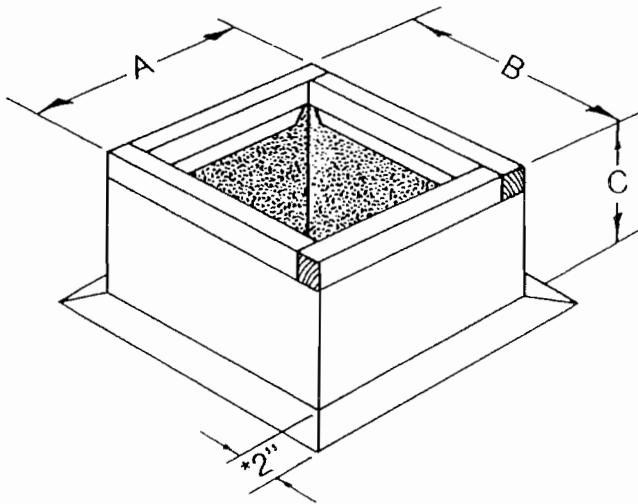
- 1½" thick 3 lb. density rigid fiberglass insulation
- 2" flashing strip
- Factory installed wood nailer strip

CSSF & CSSF-D

- 18 ga. (.047) galvanized steel construction
- Factory installed damper shelf (CSSF-D only)

CASF & CASF-D

- 14 ga. (.064) aluminum construction
- Factory installed damper shelf (CASF-D only)



*Note: Curbs For Shingle Roofs
May Require Extended Flanges.

MARK	QTY.	A	B	C	E	F	OPTIONS	PROJECT
								ARCHITECT
								ENGINEER
								DATE

CSSF-7-1989